

Non-clogging Pump

DBS 3216...30040



TECHNICAL DATA

Output:	up to 1200 m ³ /h
Delivery head:	up to 100 m
Speed:	up to 3600 rpm depending of the pump size and material execution
Medium temperature:	max. 110 °C
Casing pressure:	10 bar
Shaft sealing:	stuffing box or mechanical seal
Flange connections:	PN 10
Sense of rotation:	clockwise, looking at the pump from the drive end



APPLICATION

Series DBS volute-casing pumps can be used where the requirement is for pumping dirty liquids or liquids with solids.

Sewage plants:	Storm water, pre-filtered sewage, industrial effluents
Chemical plants:	Chemical effluents, brines and lies, milk of lime, crystal sludge, filter material, plastic suspensions
Rolling mills:	Scale-contaminated water from steel and copper rolling mills
Foundries and iron and steel works:	Effluents and sludges from dust and arrester plants
Construction industry:	Mixtures of water and cement and water from excavation ditches
Paper and cellulose pulp industry:	Paper, chemical pulp and mechanical suspensions up to 6% absolutely dry
Sugar mills:	Carbonation juice, concentrated juice, milk of lime
Food industry:	Thick mash, fruit and potato slices (parings)

DESIGN

Process type, single-stage, volute casing pumps with design features and nominal rating to ISO2858/EN22858 and enlarged sizes.

The process design permits dismantling of the complete bearing unit towards the drive end, without the pump casing having to be disconnected from the piping. If a spacer coupling is used it is also unnecessary to disconnect the motor.

CONSTRUCTION

Casing pressure: Max. 10 bar between -10 °C and +120 °C
Please note: Casing pressure = Inlet pressure + shut off head.
Max. test pressure 16 bar

Branch positions:

Suction branch axial, discharge branch radial upwards.

Flanges:

Connection dimensions of flanges DIN 2501 PN 10 .
Flanges can be supplied drilled to ANSI
Optional the pump can be supplied with a flange adapter piece on the suction side (see sectional drawing, pos. 72.20)

Bearings:

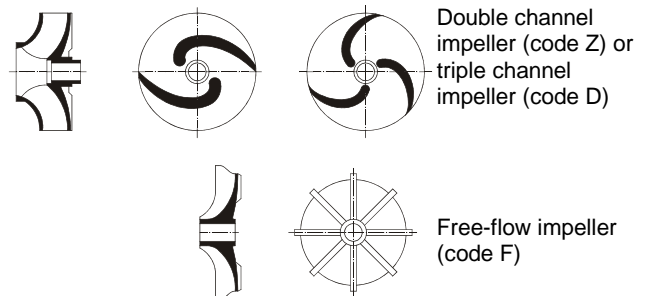
Execution B:
Pump end: one cylindrical roller bearing to DIN 5412
Drive end: one deep groove ball bearing to DIN 625
The bearings are grease lubricated

Execution C:
Pump end: one cylindrical roller bearing to DIN 5412
Drive end: one deep groove ball bearing to DIN 625
The bearings are oil lubricated

Execution S:
Pump end: one cylindrical roller bearing to DIN 5412
Drive end: two angular contact ball bearings in O-arrangement.
The bearings are grease lubricated

Execution T:
Pump end: one cylindrical roller bearing to DIN 5412
Drive end: two angular contact ball bearings in O-arrangement.
The bearings are oil lubricated

Shapes of impellers:



If required, the sealing clearance gap on the suction side of pumps fitted with double and triple channel and wear plates can be arranged for flushing.

Shaft sealing:

A stuffing box or a mechanical seal, as required, can affect the sealing of the shaft.

Variants with stuffing box:

Designation 052: Uncooled stuffing box with external sealing (inlet only).
Temperature range: -10 °C to 110°C.

Designation 051: Uncooled stuffing box with external sealing and flushing
Temperature range: -10°C to 110°C.

Other shaft seals on request.

Variants with mechanical seal:

According to DIN 24960, it is possible the installation of single mechanical seal (AF4, AFJ, AFS) or double mechanical seal mounted back-to-back or tandem arrangement, cartridge execution (X0C, X0M).

Designation AF4: Auto balanced mechanical seal
Materials: SiC-SiC- EPDM
Temperature range: -20...+ 120 °C

Designation AFJ: Auto balanced mechanical seal
Materials: SiC-Carbon- Viton®
Temperature range: -20...+ 120 °C

Designation AFS: Auto balanced mechanical seal
Materials: SiC-SiC-Viton®
Temperature range: -20...+ 120 °C

Designation X0C: Balanced mechanical seal. Materials: SiC-SiC-Viton®/Carbon-SiC-Viton®
Temperature range: -40...+ 220 °C

Designation X0M: Balanced mechanical seal. Materials: SiC-SiC-EPDM/Carbon-SiC-EPDM
Temperature range: -40...+ 220 °C

MATERIAL EXECUTION: (Other materials on request)

Item	Component	Material				Construction				
		Mat. N°	DIN denomination	ISO EN denomination	US Material		0B	0E	4B	
					ASTM Standard	AISI				
110.20	Volute casing	EN-JL 1040 1.4408	GG-25 GX6CrNiMo18-10	EN-GJL 250 GX5CrNiMo19-11-2	A 278 Cl. 30 A 351 CF8M	316	x	x	x	
13.50	Wear plate	EN-JL 1040 1.4408	GG-25 GX6CrNiMo18-10	EN-GJL 250 GX5CrNiMo19-11-2	A 278 Cl. 30 A 351 CF8M	316	x	x	x	
116.10	Casing cover	EN-JL 1040 1.4408	GG-25 GX6CrNiMo18-10	EN-GJL 250 GX5CrNiMo19-11-2	A 278 Cl. 30 A 351 CF8M	316	x	x	x	
221.00	Shaft	1.0503 1.4571	C 45 X6CrNiMoTi17-12-2	C 45 X6CrNiMoTi17-12-2	A 576 Gr1045 A 182 316Ti	1045 316Ti	x	x	x	
223.00	Impeller	EN-JL 1040 1.4408	GG-25 GX6CrNiMo18 10	EN-GJL 250 GX5CrNiMo19-11-2	A 278 Cl. 30 A 351 CF8M	316	x	x	x	
333.00	Bearing bracket	EN-JL 1040	GG-25	EN-GJL 250	A 278 Cl. 30		x	x	x	
552.30	Shaft sleeve / Mechanical seal	1.4571	X6CrNiMoTi17-12-2	X6CrNiMoTi17-12-2	A 182 316Ti	316Ti	x	x	x	
552.40	Shaft sleeve / Stuffing box	1.4122 1.4571	X35CrMo 17 X6CrNiMoTi17-12-2	X39CrMo17-1 X6CrNiMoTi17-12-2	A 182 316Ti	316Ti	x	x	x	
446.10	Stuffing box	Soft packing						x	x	x
443.30	Mechanical seal	Silicon Carbide / Carbon EPDM or Viton (See other options)						x	x	x

Casing seal:

The casing is sealed by flat gasket of synthetic fibre.

Drive / Speed:

By commercial electric motors, type of construction motor, IM B3.

For the determination of the drive power we recommend the following additions:

Up to 4 kW: 25%

4 up to 7,5 kW: 20%

from 7,5 kW: 15%

The following speeds limits are to be observed:

Max. Speed rpm	Size	Max. speed rpm	Size	Max. speed rpm	Size	Max. speed rpm	Size
3600	3216F 3220F 4016F/D 4020F/D 5016F/D 5020F/Z 6520F/Z	3000	5026F/D 8026F/Z 10026F/Z	1800	5032F/Z 8032F/Z 8040Z 10032F/D 12540F/D 15032Z 20032D 20040D	1500	12550D 20050D

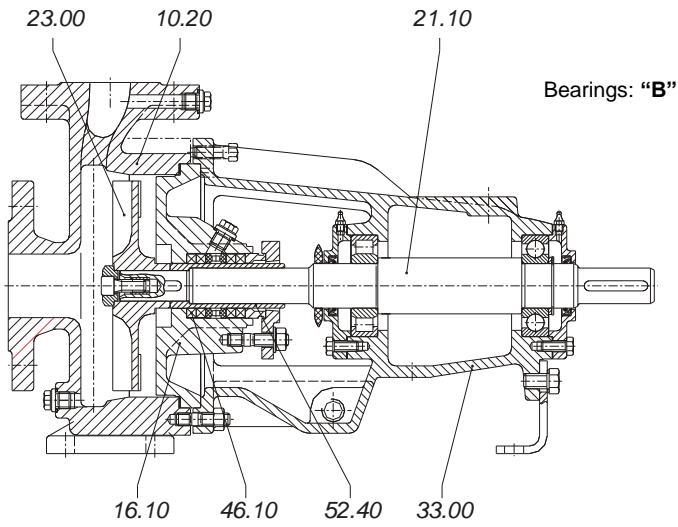
The max. speed result from the admissible shaft load and the admissible peripheral speed of the impellers

Bearing bracket / pump size:

Bracket 35	3216 3220 4016 4020 5016
Bracket 45	5020 5026 6520
Bracket 55	5032 8026 8032 10026 10032
Bracket 65	8040 12540 15032 20032
Bracket 75	12550 20040 20050

SECTIONAL DRAWINGS AND PARTS LIST

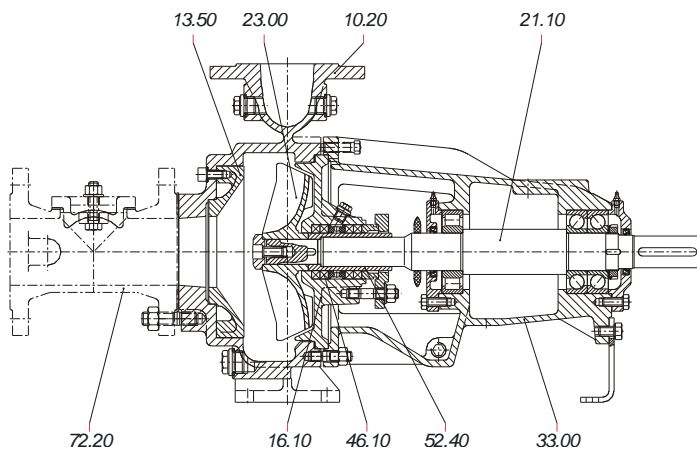
Only for DBSA 3216F and DBSA 3220F
(without wear plate)



- 10.20 Casing
- 16.10 Casing cover
- 33.00 Bearing bracket
- 21.10 Shaft
- 23.00 Impeller
- 46.10 Stuffing box
- 52.40 Shaft sleeve

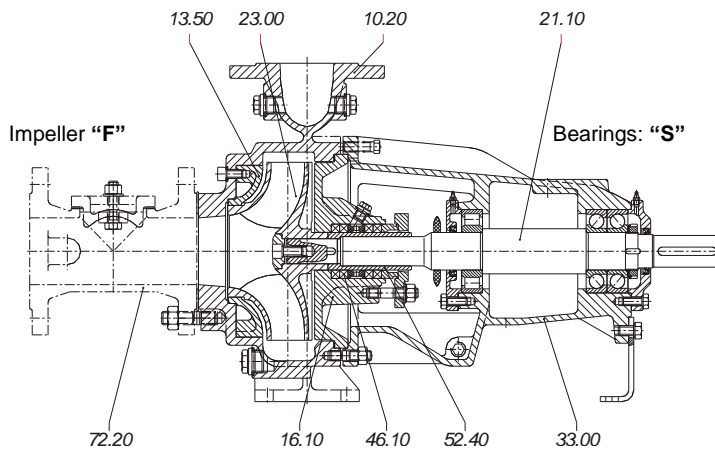
Shaft sealing design 052

Remaining pumps sizes

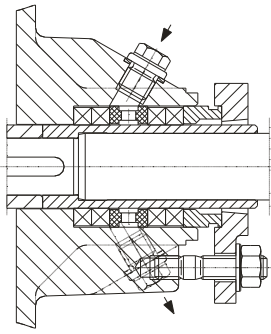


- 10.20 Casing
- 13.50 Wear plate
- 16.10 Casing cover
- 33.00 Bearing bracket
- 21.10 Shaft
- 23.00 Impeller
- 46.10 Stuffing box
- 52.40 Shaft sleeve
- 72.20 Adapter piece

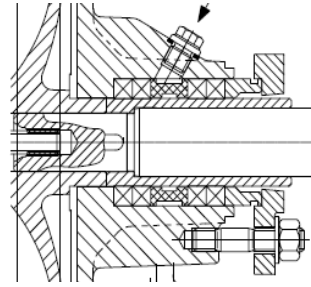
Shaft sealing design 052



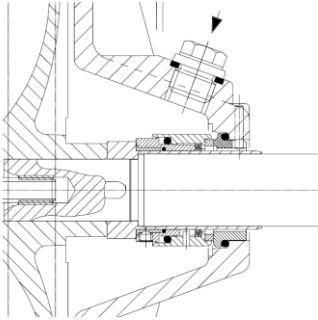
Types of shaft sealings



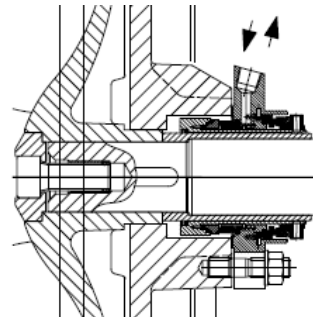
Designation 051



Designation 052



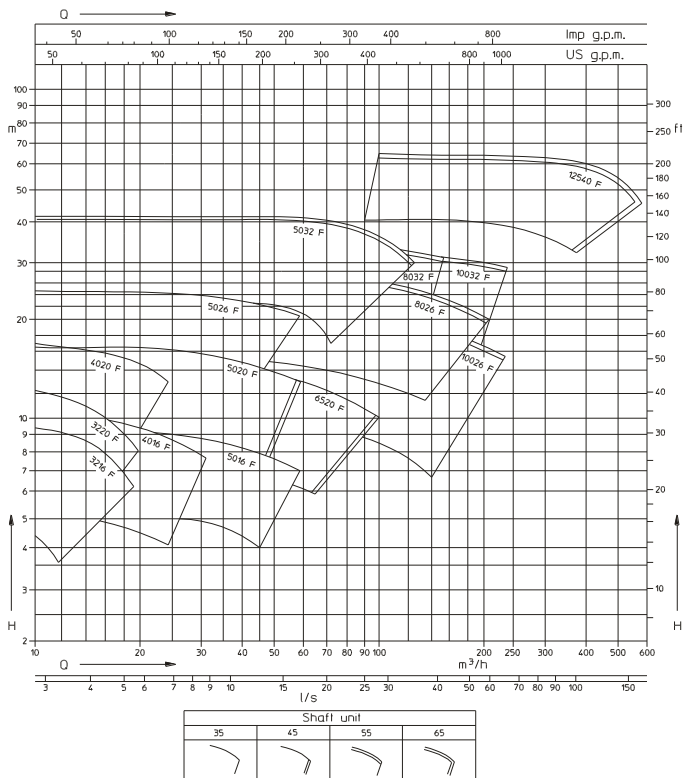
Designation AF4, AFJ, AFS



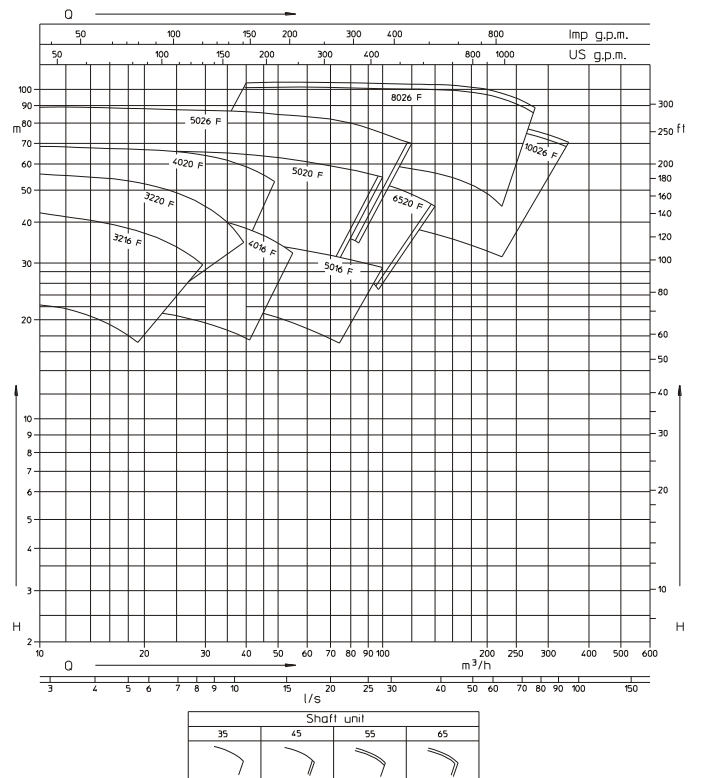
Designation X0C, X0M

PERFORMANCE GRAPHS

Pumps with free flow impeller "F"

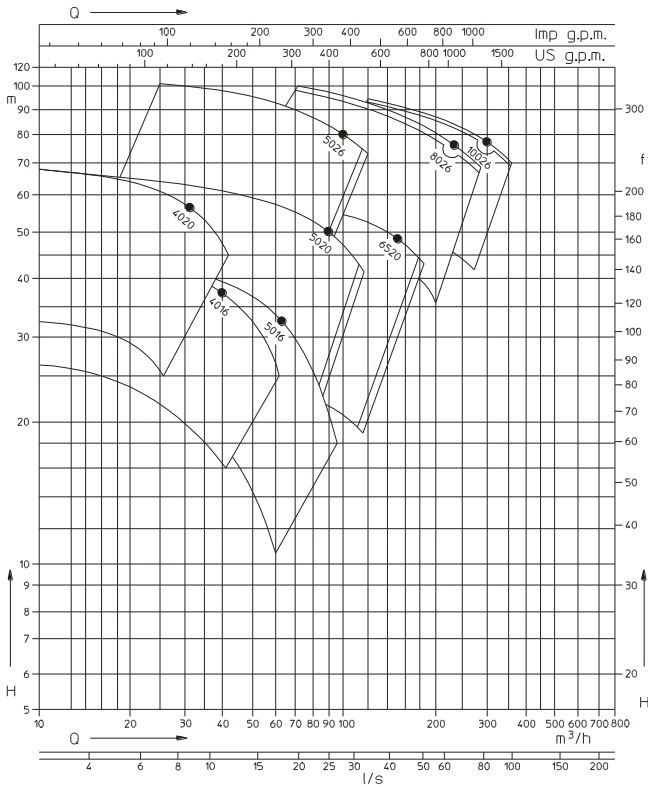


1450 rpm



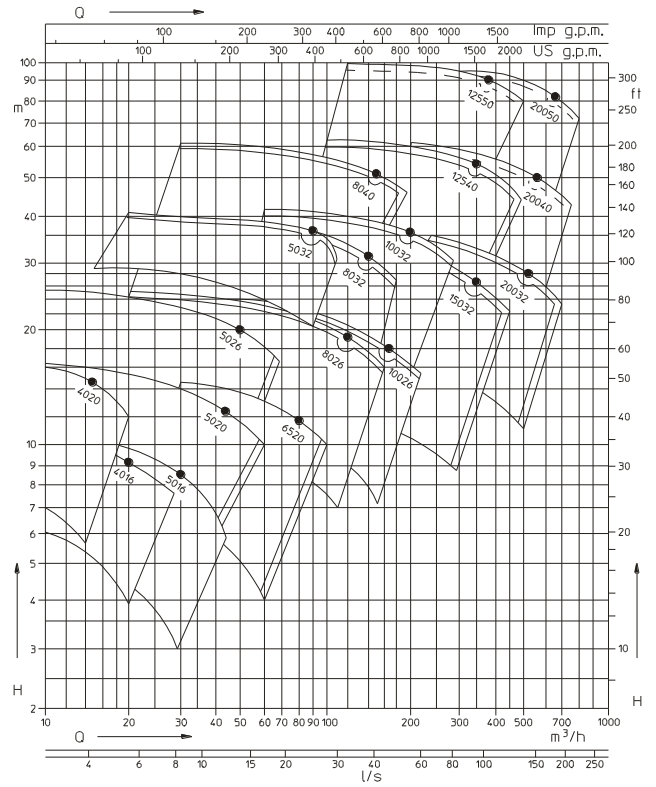
2900 rpm

Pumps with channel impeller, double (Z) respectively triple (D)



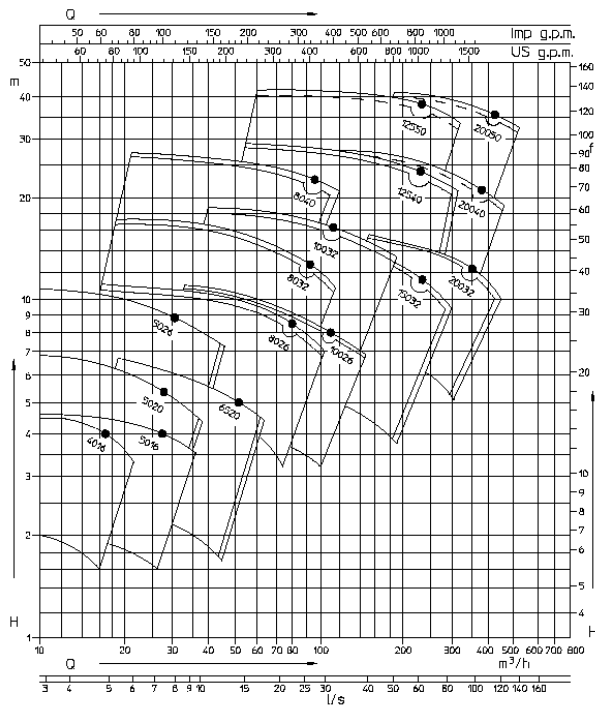
Shaft unit		
35	45	55

2900 rpm



Shaft unit				
35	45	55	65	75

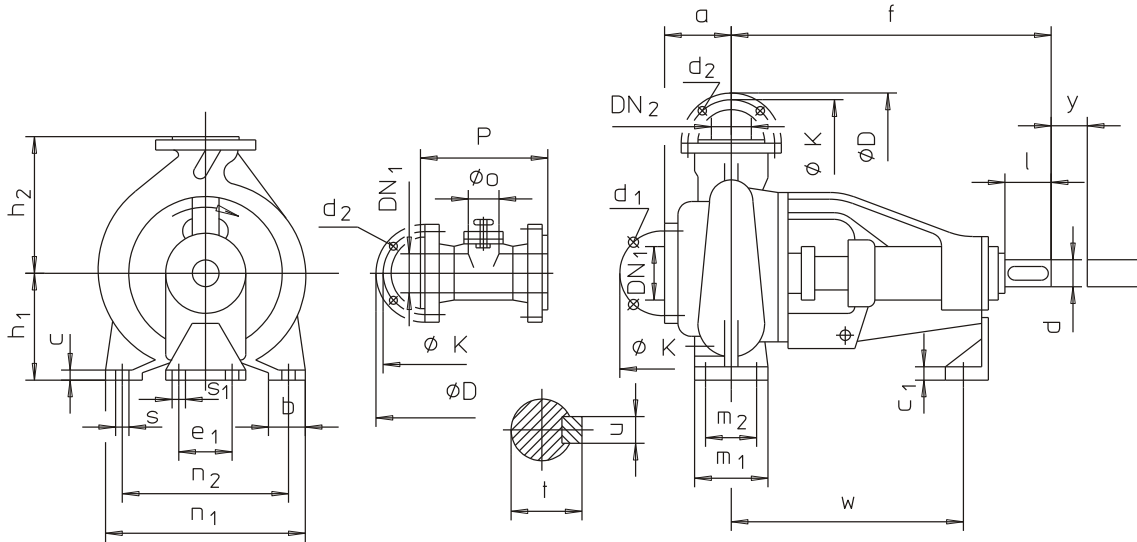
1450 rpm



Shaft unit/Welleninhalt/Supporte					
35	45	55	65	75	90

960 rpm

DIMENSIONS



Dimensions in mm

Size	Bearing	Pumps dimensions						Foot dimensions										Shaft end				Spa	1)	
		DN2	DN1	a	f	h1	h2	b	c	c1	e1	m1	m2	n1	n2	s	s1	w	d	l	t		u	y
3216	35	32	50	80	425	132	160	50	14	6	100	70	240	190	14	15	315	28	60	31	8	140	80	200
3220					420	160	180																	
4016	35	40	50	90	405	160	180	50	14	6	100	70	240	190	14	13	300	28	60	31	8	140	80	200
4020					410		200																	
5016	35	50	65	100	405	160	50	14	6	110	100	70	265	212	14	15	295	38	80	41	10	140	80	200
5020	45			112	500	180																		
5026	45	50	65	125	500	200	50	14	6	110	100	70	265	212	14	15	295	38	80	41	10	140	80	200
5032	55			140	550	225																		
6520	45	65	80	125	500	180	225	65	6	110	100	70	320	250	13	370	38	80	41	10	140	80	200	
8026	55	80	100	130	550	225	280	80	18	15	140	160	120	435	355	18	18	500	55	110	59	16	180	150
8032				125	250	315	12																	
8040	65	100	125	140	670	280	355	80	18	15	140	160	120	435	355	18	18	500	55	110	59	16	180	150
10026	55				550	225	280																	
10032	55	100	125	140	250	315	80	18	15	140	160	120	435	355	18	18	500	55	110	59	16	180	150	
12540	65				670	315																		400
12550	75	150	170	720	355	450	80	18	15	140	160	120	435	355	18	18	500	55	110	59	16	180	150	
15032	65			670	280	400																		12
20032	65	150	170	670	315	450	80	18	15	140	160	120	435	355	18	18	500	55	110	59	16	180	150	
20040				75	670	355																		500
20050	75	200	200	720	400	530	80	18	15	140	160	120	435	355	18	18	500	55	110	59	16	180	150	
20050				24	15	600																		500

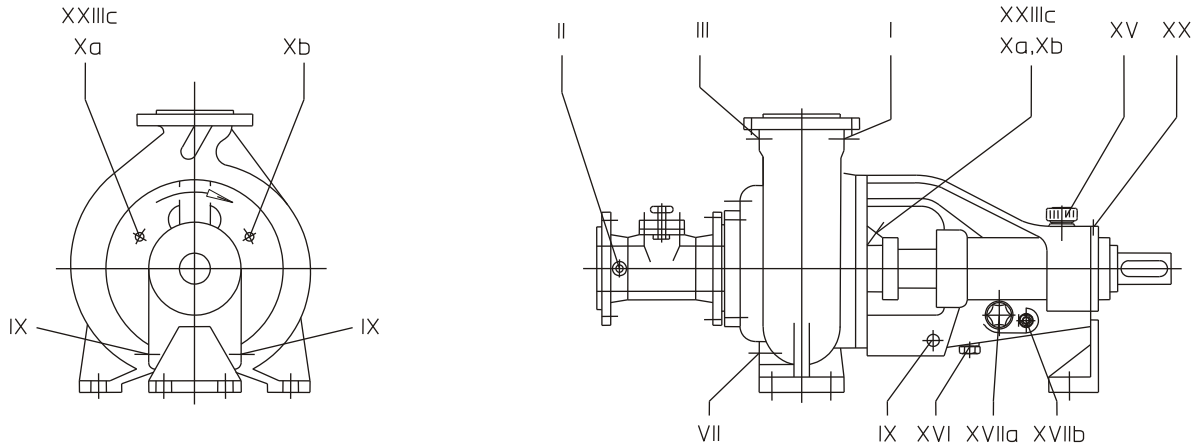
Dimensions connections flanges according to DIN 2501 PN - 10

DN1/DN2	32	40	50	65	80	100	125	150	200
ø D	140	150	165	185	200	220	250	285	340
ø k	100	110	125	145	160	180	210	240	295
d1 x number	-	- *) 18 x 4	M 16 x 4 *) 18 x 4	M 16 x 4	M 16 x 8	M 16 x 8	M 16 x 8	M 20 x 8	M 20 x 8
d2 x number	18 x 4	18 x 4	18 x 4	18 x 4	18 x 8	18 x 8	18 x 8	22 x 8	22 x 8

1) Intermediate piece optional

*) Only for sizes 32...

TABLE OF CONNECTIONS



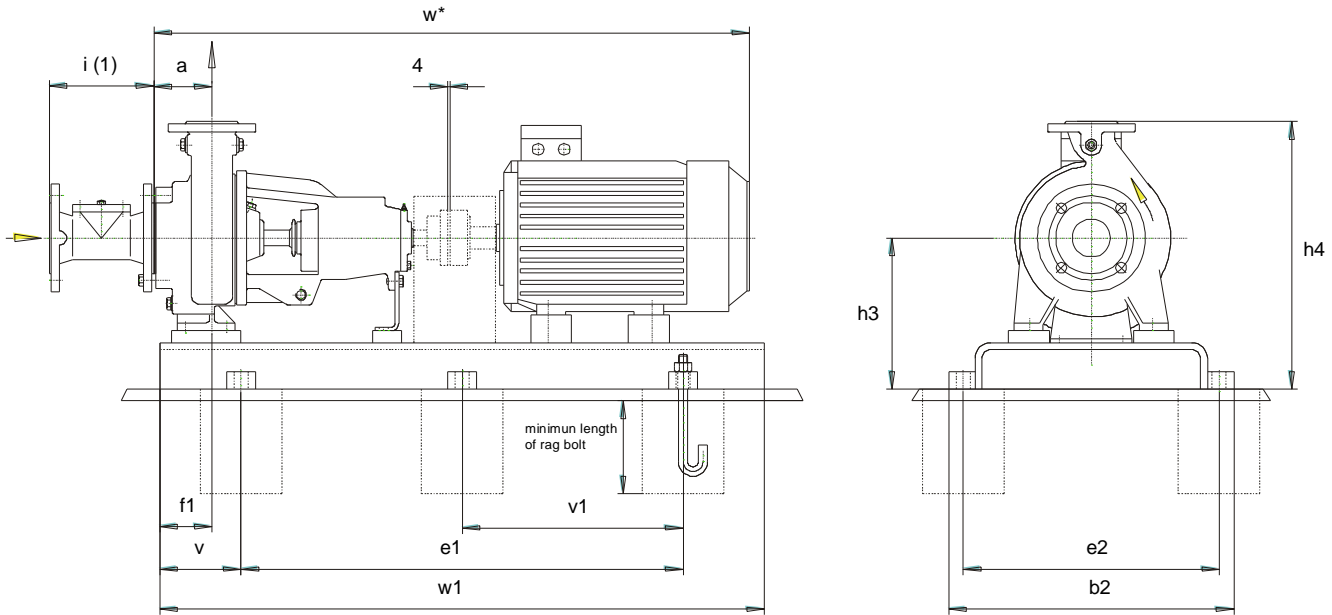
Code	Connections	For version with	
		Grease	Oil
I	Pressure gauge connection		
II	Pressure/vacuum gauge connection		
III	Vent		
VII	Drain		
IX	Drip and leakage connection		
Xa	Inlet connection for sealing liquid	External sealing	
Xb	Outlet connection for sealing liquid	External sealing	
XV	Oil filling		X
XVI	Oil drain		X
XVIIa	Oil level sight glass		X
XVIIb	Constant level oiler connection		X
XX	Grease nipple	X	
XXIIIc	Seal flushing	External sealing	

Code	Pumps with shaft unit										90
	35		45		55		65		75		
	Standard type	Special type	Standard type	Special type	Standard type	Special type	Standard type	Special type	Standard type	Special type	
I	G 1/2" (4)		G 1/2"		G 1/2"		G 1/2"		G 1/2"		
II	Without hole	G 1/2"	Without hole	G 1/2"	Without hole	G 1/2"	Without hole	G 1/2"	Without hole	G 1/2"	
III	G 1/2" (5)		G 1/2"		G 3/4"		G 1" (3)		G 1"		
VII	G 1/2" (6)		G 1/2" (1)		G 1" (2)		G 1" (3)		G 1"		
IX	G 1/2"		G 1/2"		G 1/2"		G 3/4"		G 3/4"		
Xa	G 1/4"		G 1/4"		G 1/4"		G 3/8"		G 3/8"		
Xb	G 1/4"		G 1/4"		G 1/4"		G 3/8"		G 3/8"		
XV	Ø 20		Ø 20		Ø 20		Ø 20		Ø 20		
XVI	G 1/4"		G 1/4"		G 1/4"		G 1/4"		G 1/4"		
XVIIa	G 3/4"		G 3/4"		G 3/4"		G 3/4"		G 1"		
XVIIb	G 1/4"		G 1/4"		G 1/4"		G 1/4"		G 1/4"		
XX	M6		M6		M6		M6		M6		
XXIIIc	G 3/8"		G 1/2"		G 1/2"		G 1/2"		G 1/2"		

On request

- 1) G 3/4" in 6520
- 2) G 3/4" in 5032, 8026 and 8032
- 3) G 3/4" in 8040
- 4) G 1/4" in 3216 and 3220
- 5) Pumps 3216, 3220 not drilled
- 6) G 1/4" in 3216 and 3220

Foundation plan.



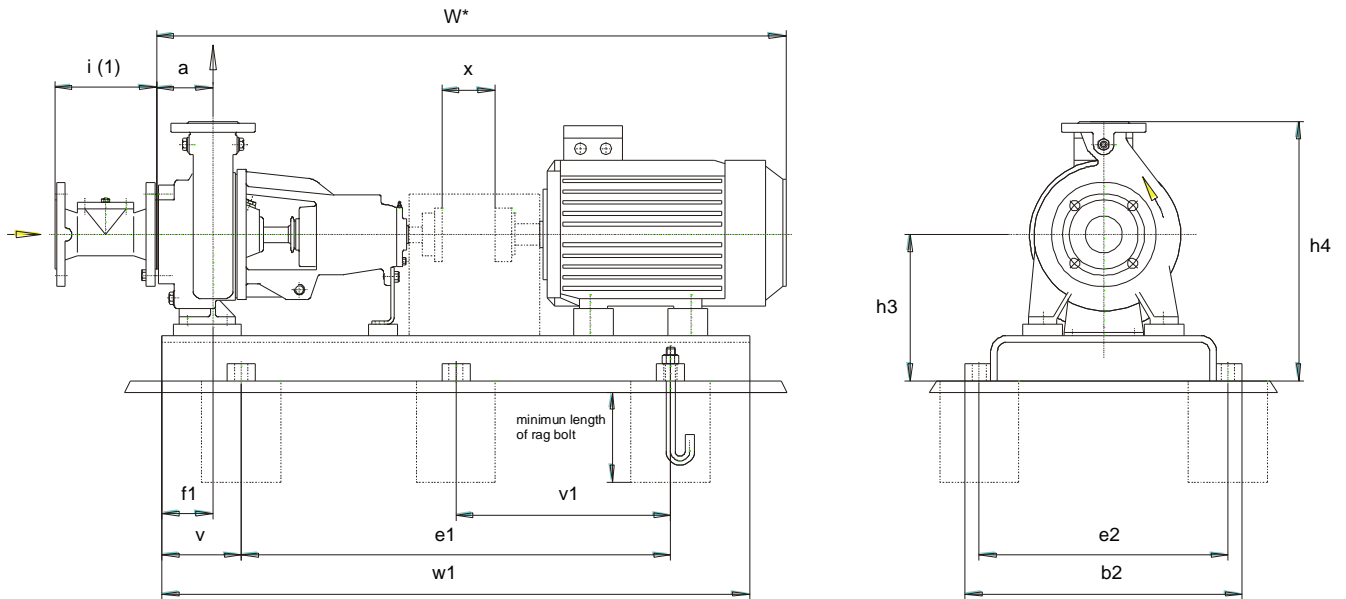
Dimensions in mm
Tolerances for welded parts acc. to DIN 8570 B

DBSA Size	Motor		Size	Base plate No.	Cplg.	Weight (kg)															Rag bolt size
	1450 rpm kW	2900 rpm kW				Pump	Unit	a	b ₂	e ₁	e ₂	f ₁	h ₃	h ₄	i	v	v ₁	w	w ₁		
3216	0,25	-	71	S272	B68	42	79	80	360	540	320	60	197	357	-	140	-	749	820	M16x250	
	0,37	-	71	S272	B68	42	80	80	360	540	320	60	197	357	-	140	-	749	820	M16x250	
	0,55	-	80	S272	B68	42	83	80	360	540	320	60	197	357	-	140	-	783	820	M16x250	
	0,75	-	80	S272	B68	42	84	80	360	540	320	60	197	357	-	140	-	783	820	M16x250	
	1,10	1,50	90S	S272	B68	42	87	80	360	540	320	60	197	357	-	140	-	840	820	M16x250	
	1,50	2,20	90L	S272	B68	42	90	80	360	540	320	60	197	357	-	140	-	840	820	M16x250	
	-	3,00	100L	S017	B80	42	115	80	361	700	325	60	192	352	-	200	-	881	1100	M12x150	
	-	4,00	112M	S017	B80	42	124	80	361	700	325	60	192	352	-	200	-	902	1100	M12x150	
	-	5,50	132S	S303	B95	42	135	80	390	600	350	60	197	357	-	160	-	962	920	M16x250	
	-	7,50	132S	S303	B95	42	140	80	390	600	350	60	197	357	-	160	-	962	920	M16x250	
3220	0,55	-	80	S272	B68	44	85	80	360	540	320	60	225	405	-	140	-	778	820	M16x250	
	0,75	-	80	S272	B68	44	86	80	360	540	320	60	225	405	-	140	-	778	820	M16x250	
	1,10	-	90S	S272	B68	44	89	80	360	540	320	60	225	405	-	140	-	835	820	M16x250	
	1,50	-	90L	S272	B68	44	92	80	360	540	320	60	225	405	-	140	-	835	820	M16x250	
	2,20	3,00	100L	S017	B80	44	117	80	361	700	325	60	220	400	-	200	-	876	1100	M12x150	
	3,00	-	100L	S017	B80	44	120	80	361	700	325	60	220	400	-	200	-	876	1100	M12x150	
	-	4,00	112M	S017	B80	44	126	80	361	700	325	60	220	400	-	200	-	897	1100	M12x150	
	-	5,50	132S	S303	B95	44	137	80	390	600	350	60	225	405	-	160	-	957	920	M16x250	
	-	7,50	132S	S303	B95	44	142	80	390	600	350	60	225	405	-	160	-	957	920	M16x250	
	-	11,00	160M	S344	B95	44	190	80	450	660	400	60	240	420	-	180	-	1092	1020	M20x400	
4016	0,55	-	80	S272	B68	47	88	90	360	540	320	60	225	405	-	140	-	773	820	M16x250	
	0,75	-	80	S272	B68	47	89	90	360	540	320	60	225	405	-	140	-	773	820	M16x250	
	1,10	-	90S	S272	B68	47	92	90	360	540	320	60	225	405	-	140	-	830	820	M16x250	
	1,50	-	90L	S272	B68	47	95	90	360	540	320	60	225	405	-	140	-	830	820	M16x250	
	2,20	3,00	100L	S272	B80	47	120	90	360	540	320	60	225	405	-	140	-	871	820	M16x250	
	-	4,00	112M	S272	B80	47	130	90	360	540	320	60	225	405	-	140	-	892	820	M16x250	
	-	5,50	132S	S303	B95	47	140	90	390	600	350	60	225	405	-	160	-	952	920	M16x250	
	-	7,50	132S	S303	B95	47	145	90	390	600	350	60	225	405	-	160	-	952	920	M16x250	
	-	11,00	160M	S344	B95	47	193	90	450	660	400	60	240	420	-	180	-	1087	1020	M20x400	
	-	15,00	160M	S344	B95	47	200	90	450	660	400	60	240	420	-	180	-	1087	1020	M20x400	
4020	0,37	-	71	S272	B68	48	86	90	360	540	320	60	225	425	-	140	-	744	820	M16x250	
	0,55	-	80	S272	B68	48	89	90	360	540	320	60	225	425	-	140	-	778	820	M16x250	
	0,75	-	80	S272	B68	48	90	90	360	540	320	60	225	425	-	140	-	778	820	M16x250	
	1,10	-	90S	S272	B68	48	93	90	360	540	320	60	225	425	-	140	-	835	820	M16x250	
	1,50	2,20	90L	S272	B68	48	96	90	360	540	320	60	225	425	-	140	-	835	820	M16x250	
	2,20	3,00	100L	S272	B80	48	121	90	360	540	320	60	225	425	-	140	-	876	820	M16x250	
	3,00	-	100L	S272	B80	48	124	90	360	540	320	60	225	425	-	140	-	876	820	M16x250	
	-	4,00	112M	S272	B80	48	131	90	360	540	320	60	225	425	-	140	-	897	820	M16x250	
	-	5,50	132S	S303	B95	48	141	90	390	600	350	60	225	425	-	160	-	957	920	M16x250	
	-	7,50	132S	S303	B95	48	146	90	390	600	350	60	225	425	-	160	-	957	920	M16x250	
	-	11,00	160M	S344	B95	48	194	90	450	660	400	60	240	440	-	180	-	1092	1020	M20x400	
	-	15,00	160M	S344	B95	48	201	90	450	660	400	60	240	440	-	180	-	1092	1020	M20x400	
	-	18,50	160L	S344	B95	48	211	90	450	660	400	60	240	440	-	180	-	1092	1020	M20x400	
5016	0,55	-	80	S301	B68	52	92	100	390	480	350	60	225	425	200	125	-	783	730	M16x250	
	0,75	-	80	S301	B68	52	93	100	390	480	350	60	225	425	200	125	-	783	730	M16x250	
	1,10	-	90S	S303	B68	52	102	100	390	600	350	60	225	425	200	160	-	840	920	M16x250	

DBSA Size	Motor		Size	Base plate No.	Cplg.	Weight (kg)														Rag bolt size	
	1450 rpm	2900 rpm				Pump	Unit	a	b ₂	e ₁	e ₂	f ₁	h ₃	h ₄	i	v	v ₁	W	w ₁		
																					kW
	1,50	-	90L	S303	B68	52	104	100	390	600	350	60	225	425	200	160	-	840	920	M16x250	
	2,20	-	100L	S303	B80	52	124	100	390	600	350	60	225	425	200	160	-	881	920	M16x250	
	3,00	-	100L	S303	B80	52	127	100	390	600	350	60	225	425	200	160	-	881	920	M16x250	
	-	4,00	112M	S303	B80	52	134	100	390	600	350	60	225	425	200	160	-	902	920	M16x250	
	-	5,50	132S	S303	B95	52	145	100	390	600	350	60	225	425	200	160	-	962	920	M16x250	
	-	7,50	132S	S303	B95	52	150	100	390	600	350	60	225	425	200	160	-	962	920	M16x250	
	-	11,00	160M	S344	B95	52	198	100	450	660	400	60	240	440	200	180	-	1097	1020	M20x400	
	-	15,00	160M	S344	B95	52	207	100	450	660	400	60	240	440	200	180	-	1097	1020	M20x400	
	-	18,50	160L	S344	B95	52	217	100	450	660	400	60	240	440	200	180	-	1097	1020	M20x400	
	5020	1,10	-	90S	S303	B80	69	121	112	390	600	350	60	245	445	200	160	-	947	920	M16x250
		1,50	-	90L	S303	B80	69	124	112	390	600	350	60	245	445	200	160	-	947	920	M16x250
		2,20	-	100L	S303	B80	69	142	112	390	600	350	60	245	445	200	160	-	988	920	M16x250
3,00		-	100L	S303	B80	69	142	112	390	600	350	60	245	445	200	160	-	988	920	M16x250	
4,00		4,00	112M	S303	B80	69	153	112	390	600	350	60	245	445	200	160	-	1009	920	M16x250	
5,50		5,50	132S	S344	B95	69	174	112	450	660	400	60	260	460	200	180	-	1069	1020	M20x400	
-		7,50	132S	S344	B95	69	174	112	450	660	400	60	260	460	200	180	-	1069	1020	M20x400	
-		11,00	160M	S385	B95	69	231	112	490	740	440	60	260	460	200	200	-	1204	1140	M20x400	
-		15,00	160M	S385	B95	69	243	112	490	740	440	60	260	460	200	200	-	1204	1140	M20x400	
-		18,50	160L	S385	B95	69	253	112	490	740	440	60	260	460	200	200	-	1204	1140	M20x400	
-		22,00	180M	S385	B110	69	284	112	490	740	440	60	260	460	200	200	-	1286	1140	M20x400	
-		30,00	200L	S436	B125	69	359	112	540	840	490	60	280	480	200	215	-	1336	1270	M20x400	
5026	2,20	-	100L	S385	B80	89	180	125	490	740	440	75	280	530	200	200	-	1001	1140	M20x400	
	3,00	-	100L	S385	B80	89	193	125	490	740	440	75	280	530	200	200	-	1001	1140	M20x400	
	4,00	-	112M	S385	B80	89	202	125	490	740	440	75	280	530	200	200	-	1022	1140	M20x400	
	5,50	-	132S	S385	B95	89	213	125	490	740	440	75	280	530	200	200	-	1082	1140	M20x400	
	7,50	-	132M	S385	B95	89	220	125	490	740	440	75	280	530	200	200	-	1082	1140	M20x400	
	-	11,00	160M	S385	B95	89	254	125	490	740	440	75	280	530	200	200	-	1217	1140	M20x400	
	-	15,00	160M	S385	B95	89	263	125	490	740	440	75	280	530	200	200	-	1217	1140	M20x400	
	-	18,50	160L	S385	B95	89	273	125	490	740	440	75	280	530	200	200	-	1217	1140	M20x400	
	-	22,00	180M	S385	B110	89	304	125	490	740	440	75	280	530	200	200	-	1299	1140	M20x400	
	-	30,00	200L	S436	B125	89	380	125	540	840	490	75	280	530	200	215	-	1349	1270	M20x400	
	-	37,00	200L	S436	B125	89	400	125	540	840	490	75	280	530	200	215	-	1349	1270	M20x400	
	-	45,00	225M	S486	B125	89	468	125	610	840	550	75	325	575	200	205	-	1389	1250	M24x400	
5032	-	55,00	250M	S607	B140	89	597	125	730	940	670	75	350	600	200	230	-	1519	1400	M24x400	
	4,00	-	112M	S435	B110	151	271	140	540	740	490	75	305	585	200	200	-	1087	1140	M20x400	
	5,50	-	132S	S435	B110	151	281	140	540	740	490	75	305	585	200	200	-	1147	1140	M20x400	
	7,50	-	132M	S435	B110	151	288	140	540	740	490	75	305	585	200	200	-	1147	1140	M20x400	
	11,00	-	160M	S436	B110	151	334	140	540	840	490	75	305	585	200	215	-	1282	1270	M20x400	
	15,00	-	160L	S436	B110	151	348	140	540	840	490	75	305	585	200	215	-	1282	1270	M20x400	
	18,50	-	180M	S436	B110	151	364	140	540	840	490	75	305	585	200	215	-	1364	1270	M20x400	
	22,00	-	180L	S436	B125	151	391	140	540	840	490	75	305	585	200	215	-	1364	1270	M20x400	
	30,00	-	200L	S436	B125	151	441	140	540	840	490	75	305	585	200	215	-	1414	1270	M20x400	
	6520	1,50	-	90L	S385	B80	78	162	125	490	740	440	75	260	485	200	200	-	960	1140	M20x400
		2,20	-	100L	S385	B80	78	179	125	490	740	440	75	260	485	200	200	-	1001	1140	M20x400
		3,00	-	100L	S385	B80	78	182	125	490	740	440	75	260	485	200	200	-	1001	1140	M20x400
4,00		-	112M	S385	B80	78	191	125	490	740	440	75	260	485	200	200	-	1022	1140	M20x400	
5,50		-	132S	S385	B95	78	202	125	490	740	440	75	260	485	200	200	-	1082	1140	M20x400	
7,50		-	132M	S385	B95	78	209	125	490	740	440	75	260	485	200	200	-	1082	1140	M20x400	
-		7,50	132S	S385	B95	78	205	125	490	740	440	75	260	485	200	200	-	1082	1140	M20x400	
-		11,00	160M	S385	B95	78	243	125	490	740	440	75	260	485	200	200	-	1217	1140	M20x400	
-		15,00	160M	S385	B95	78	252	125	490	740	440	75	260	485	200	200	-	1217	1140	M20x400	
-		18,50	160L	S385	B95	78	262	125	490	740	440	75	260	485	200	200	-	1217	1140	M20x400	
-		22,00	180M	S385	B110	78	293	125	490	740	440	75	260	485	200	200	-	1299	1140	M20x400	
-		30,00	200L	S436	B125	78	368	125	540	840	490	75	280	505	200	215	-	1349	1270	M20x400	
8026	3,00	-	100L	S486	B110	112	240	130	610	840	550	90	325	605	250	205	-	1056	1250	M24x400	
	4,00	-	112M	S486	B110	112	250	130	610	840	550	90	325	605	250	205	-	1077	1250	M24x400	
	5,50	-	132S	S486	B110	112	260	130	610	840	550	90	325	605	250	205	-	1137	1250	M24x400	
	7,50	-	132M	S486	B110	112	266	130	610	840	550	90	325	605	250	205	-	1137	1250	M24x400	
	11,00	-	160M	S486	B110	112	304	130	610	840	550	90	325	605	250	205	-	1272	1250	M24x400	
	15,00	-	160L	S486	B110	112	318	130	610	840	550	90	325	605	250	205	-	1272	1250	M24x400	
	18,50	22,00	180M	S486	B110	112	350	130	610	840	550	90	325	605	250	205	-	1354	1250	M24x400	
	-	30,00	200L	S487	B125	112	433	130	610	940	550	90	325	605	250	240	-	1404	1420	M24x400	
	-	37,00	200L	S487	B125	112	543	130	610	940	550	90	325	605	250	240	-	1404	1420	M24x400	
	-	45,00	225M	S487	B125	112	613	130	610	940	550	90	325	605	250	240	-	1444	1420	M24x400	
	-	55,00	250M	S607	B140	112	621	130	730	940	670	90	350	630	250	230	-	1574	1400	M24x400	
	-	75,00	280S	S609A	B160	112	821	130	744	1200	696	90	380	660	250	300	-	1644	1800	M24x400	
-	90,00	280M	S609A	B160	112	861	130	744	1200	696	90	380	660	250	300	-	1644	1800	M24x400		
-	110,00	315S	S609A	B160	112	1041	130	744	1200	696	90	415	695	250	300	-	1756	1800	M24x400		
8032	5,50	-	132S	S486	B110	155	302	125	610	840	550	90	350	665	250	205	-	1133	1250	M24x400	
	7,50	-	132M	S486	B110	155	309	125	610	840	550	90	350	665	250	205	-	1133	1250	M24x400	
	11,00	-	160M	S486	B110	155	347	125	610	840	550	90	350	665	250	205	-	1267	1250	M24x400	
	15,00	-	160L	S486	B110	155	361	125	610	840	550	90	350	665	250	205	-	1267	1250	M24x400	
	18,50	-	180M	S486	B110	155	387	125	610	840	55										

DBSA Size	Motor		Size	Base plate No.	Cplg.	Weight (kg)																Rag bolt size
	1450 rpm kW	2900 rpm kW				Pump	Unit	a	b ₂	e ₁	e ₂	f ₁	h ₃	h ₄	i	v	v ₁	w	w ₁			
10026	45,00	-	225M	S538	B140	249	689	140	660	1060	600	90	380	735	250	280	-	1604	1620	M24x400		
	4,00	-	112M	S486	B110	127	264	140	610	840	550	90	325	605	250	205	-	1087	1250	M24x400		
	5,50	-	132S	S486	B110	127	274	140	610	840	550	90	325	605	250	205	-	1148	1250	M24x400		
	7,50	-	132M	S486	B110	127	281	140	610	840	550	90	325	605	250	205	-	1148	1250	M24x400		
	11,00	-	160M	S486	B110	127	320	140	610	840	550	90	325	605	250	205	-	1282	1250	M24x400		
	15,00	-	160L	S486	B110	127	333	140	610	840	550	90	325	605	250	205	-	1282	1250	M24x400		
	18,50	-	180M	S486	B110	127	360	140	610	840	550	90	325	605	250	205	-	1364	1250	M24x400		
	22,00	-	180L	S486	B125	127	377	140	610	840	550	90	325	605	250	205	-	1364	1250	M24x400		
	-	30,00	200L	S487	B125	127	448	140	610	940	550	90	325	605	250	240	-	1414	1420	M24x400		
	-	37,00	200L	S487	B125	127	468	140	610	940	550	90	325	605	250	240	-	1414	1420	M24x400		
	-	45,00	225M	S487	B125	127	528	140	610	940	550	90	325	605	250	240	-	1454	1420	M24x400		
	-	55,00	250M	S607	B140	127	642	140	730	940	670	90	350	630	250	230	-	1584	1400	M24x400		
	-	75,00	280S	S609A	B160	127	725	140	744	1200	696	90	380	660	250	300	-	1654	1800	M24x400		
	-	90,00	280M	S609A	B160	127	765	140	744	1200	696	90	380	660	250	300	-	1654	1800	M24x400		
-	110,00	315S	S609A	B160	127	1055	140	744	1200	696	90	415	695	250	300	-	1766	1800	M24x400			
10032	7,50	-	132M	S486	B110	158	312	140	610	840	550	90	350	665	250	205	-	1148	1250	M24x400		
	11,00	-	160M	S486	B110	158	350	140	610	840	550	90	350	665	250	205	-	1282	1250	M24x400		
	15,00	-	160L	S486	B110	158	364	140	610	840	550	90	350	665	250	205	-	1282	1250	M24x400		
	18,50	-	180M	S486	B110	158	390	140	610	840	550	90	350	665	250	205	-	1364	1250	M24x400		
	22,00	-	180L	S486	B125	158	408	140	610	840	550	90	350	665	250	205	-	1364	1250	M24x400		
	30,00	-	200L	S487	B125	158	480	140	610	940	550	90	350	665	250	240	-	1414	1420	M24x400		
	37,00	-	225S	S487	B140	158	540	140	610	940	550	90	350	665	250	240	-	1484	1420	M24x400		
12540	18,50	-	180M	S607	B125	268	541	170	730	940	670	110	415	815	280	230	-	1514	1400	M24x400		
	22,00	-	180L	S607	B125	268	556	170	730	940	670	110	415	815	280	230	-	1514	1400	M24x400		
	30,00	-	200L	S608	B125	268	623	170	730	1060	670	110	415	815	280	270	-	1564	1600	M24x400		
	37,00	-	225S	S608	B140	268	684	170	730	1060	670	110	415	815	280	270	-	1634	1600	M24x400		
	45,00	-	225M	S608	B140	268	719	170	730	1060	670	110	415	815	280	270	-	1634	1600	M24x400		
	55,00	-	250M	S608	B160	268	811	170	730	1060	670	110	415	815	280	270	-	1734	1600	M24x400		
	75,00	-	280S	S609A	B180	268	1015	170	744	1200	696	110	415	815	280	300	-	1804	1800	M24x400		
90,00	-	280M	S609A	B180	268	1060	170	744	1200	696	110	415	815	280	300	-	1804	1800	M24x400			
12550	30,00	-	200L	S608	B160	403	761	170	730	1060	670	110	455	905	280	270	-	1614	1600	M24x400		
	37,00	-	225S	S608	B160	403	821	170	730	1060	670	110	455	905	280	270	-	1684	1600	M24x400		
	45,00	-	225M	S608	B160	403	856	170	730	1060	670	110	455	905	280	270	-	1684	1600	M24x400		
	55,00	-	250M	S608	B160	403	946	170	730	1060	670	110	455	905	280	270	-	1784	1600	M24x400		
	75,00	-	280S	S609A	B180	403	1150	170	744	1200	696	110	455	905	280	300	-	1854	1800	M24x400		
	90,00	-	280M	S609A	B180	403	1195	170	744	1200	696	110	455	905	280	300	-	1854	1800	M24x400		
	110,00	-	315S	215X82X14	B200	403	1479	170	820	1730	770	110	525	975	280	210	865	1996	2150	M16x250		
	132,00	-	315M	215X82X14	B200	403	1559	170	820	1730	770	110	525	975	280	210	865	1996	2150	M16x250		
15032	7,50	-	132M	S606	B125	242	424	170	730	840	670	110	380	780	280	205	-	1298	1250	M24x400		
	11,00	-	160M	S607	B125	242	475	170	730	940	670	110	380	780	280	230	-	1432	1400	M24x400		
	15,00	-	160L	S607	B125	242	489	170	730	940	670	110	380	780	280	230	-	1432	1400	M24x400		
	18,50	-	180M	S607	B125	242	515	170	730	940	670	110	380	780	280	230	-	1514	1400	M24x400		
	22,00	-	180L	S607	B125	242	530	170	730	940	670	110	380	780	280	230	-	1514	1400	M24x400		
	30,00	-	200L	S608	B125	242	597	170	730	1060	670	110	380	780	280	270	-	1564	1600	M24x400		
	37,00	-	225S	S608	B140	242	658	170	730	1060	670	110	380	780	280	270	-	1634	1600	M24x400		
	45,00	-	225M	S608	B140	242	693	170	730	1060	670	110	380	780	280	270	-	1634	1600	M24x400		
	55,00	-	250M	S608	B160	242	809	200	730	1060	670	110	415	865	300	270	-	1764	1600	M24x400		
	75,00	-	280S	S609A	B180	266	1013	200	744	1200	696	110	415	865	300	300	-	1834	1800	M24x400		
20032	15,00	-	160L	S607	B125	266	513	200	730	940	670	110	415	865	300	230	-	1462	1400	M24x400		
	18,50	-	180M	S607	B125	266	539	200	730	940	670	110	415	865	300	230	-	1544	1400	M24x400		
	22,00	-	180L	S607	B125	266	554	200	730	940	670	110	415	865	300	230	-	1544	1400	M24x400		
	30,00	-	200L	S608	B125	266	621	200	730	1060	670	110	415	865	300	270	-	1594	1600	M24x400		
	37,00	-	225S	S608	B140	266	682	200	730	1060	670	110	415	865	300	270	-	1664	1600	M24x400		
	45,00	-	225M	S608	B140	266	717	200	730	1060	670	110	415	865	300	270	-	1664	1600	M24x400		
	55,00	-	250M	S608	B160	266	809	200	730	1060	670	110	415	865	300	270	-	1764	1600	M24x400		
	75,00	-	280S	S609A	B180	266	1013	200	744	1200	696	110	415	865	300	300	-	1834	1800	M24x400		
20040	22,00	-	180L	S608	B160	364	672	200	730	1060	670	110	455	955	300	270	-	1594	1600	M24x400		
	30,00	-	200L	S608	B160	364	722	200	730	1060	670	110	455	955	300	270	-	1644	1600	M24x400		
	37,00	-	225S	S608	B160	364	782	200	730	1060	670	110	455	955	300	270	-	1714	1600	M24x400		
	45,00	-	225M	S608	B160	364	817	200	730	1060	670	110	455	955	300	270	-	1714	1600	M24x400		
	55,00	-	250M	S608	B160	364	907	200	730	1060	670	110	455	955	300	270	-	1814	1600	M24x400		
	75,00	-	280S	S609A	B180	364	1111	200	744	1200	696	110	455	955	300	300	-	1884	1800	M24x400		
	90,00	-	280M	S609A	B180	364	1156	200	744	1200	696	110	455	955	300	300	-	1884	1800	M24x400		
20050																						

Foundation plan (for units with spacer type coupling)



Dimensions in mm
Tolerances for welded parts acc. to DIN 8570B

DBSA Size	Motor		Base plate No.	Cplg.	Weight (kg)		a	b ₂	e ₁	e ₂	f ₁	h ₃	h ₄	i	v	v ₁	x	w	w ₁	Rag bolt size	
	1450 rpm	2900 rpm			Size	pump															unit
3216	0,25	-	71	S015	H80	42	81	80	361	600	325	60	182	342	-	160	-	140	885	920	M12x150
	0,37	-	71	S015	H80	42	82	80	361	600	325	60	182	342	-	160	-	140	885	920	M12x150
	0,55	-	80	S015	H80	42	85	80	361	600	325	60	182	342	-	160	-	140	919	920	M12x150
	0,75	-	80	S015	H80	42	86	80	361	600	325	60	182	342	-	160	-	140	919	920	M12x150
	1,10	1,50	90S	S015	H80	42	89	80	361	600	325	60	182	342	-	160	-	140	976	920	M12x150
	1,50	2,20	90L	S015	H80	42	92	80	361	600	325	60	182	342	-	160	-	140	976	920	M12x150
	-	3,00	100L	S017	H80	42	118	80	361	700	325	60	192	352	-	200	-	140	1017	1100	M12x150
	-	4,00	112M	S017	H80	42	127	80	361	700	325	60	192	352	-	200	-	140	1038	1100	M12x150
	-	5,50	132S	S344	H95	42	138	80	450	660	400	60	212	372	-	180	-	140	1098	1020	M20x400
	-	7,50	132S	S344	H95	42	143	80	450	660	400	60	212	372	-	180	-	140	1098	1020	M20x400
3220	0,55	-	80	S015	H80	44	86	80	361	600	325	60	210	390	-	160	-	140	914	920	M12x150
	0,75	-	80	S015	H80	44	87	80	361	600	325	60	210	390	-	160	-	140	914	920	M12x150
	1,10	-	90S	S015	H80	44	90	80	361	600	325	60	210	390	-	160	-	140	971	920	M12x150
	1,50	-	90L	S015	H80	44	93	80	361	600	325	60	210	390	-	160	-	140	971	920	M12x150
	2,20	3,00	100L	S017	H80	44	120	80	361	700	325	60	220	400	-	200	-	140	1012	1100	M12x150
	3,00	-	100L	S017	H80	44	123	80	361	700	325	60	220	400	-	200	-	140	1012	1100	M12x150
	-	4,00	112M	S017	H80	44	129	80	361	700	325	60	220	400	-	200	-	140	1033	1100	M12x150
	-	5,50	132S	S344	H95	44	150	80	450	660	400	60	240	420	-	180	-	140	1093	1020	M20x400
	-	7,50	132S	S344	H95	44	155	80	450	660	400	60	240	420	-	180	-	140	1093	1020	M20x400
	-	11,00	160M	S385	H95	44	212	80	490	740	440	60	240	420	-	200	-	140	1228	1140	M20x400
-	15,00	160M	S385	H95	44	222	80	490	740	440	60	240	420	-	200	-	140	1228	1140	M20x400	
4016	0,55	-	80	S015	H80	47	88	90	361	600	325	60	210	390	-	160	-	140	909	920	M12x150
	0,75	-	80	S015	H80	47	89	90	361	600	325	60	210	390	-	160	-	140	909	920	M12x150
	1,10	-	90S	S015	H80	47	92	90	361	600	325	60	210	390	-	160	-	140	966	920	M12x150
	1,50	-	90L	S015	H80	47	95	90	361	600	325	60	210	390	-	160	-	140	966	920	M12x150
	2,20	3,00	100L	S017	H80	47	128	90	361	700	325	60	220	400	-	200	-	140	1007	1100	M12x150
	-	4,00	112M	S017	H80	47	138	90	361	700	325	60	220	400	-	200	-	140	1028	1100	M12x150
	-	5,50	132S	S344	H95	47	160	90	450	660	400	60	240	420	-	180	-	140	1088	1020	M20x400
	-	7,50	132S	S344	H95	47	165	90	450	660	400	60	240	420	-	180	-	140	1088	1020	M20x400
	-	11,00	160M	S385	H95	47	215	90	490	740	440	60	240	420	-	200	-	140	1223	1140	M20x400
	-	15,00	160M	S385	H95	47	222	90	490	740	440	60	240	420	-	200	-	140	1223	1140	M20x400
4020	0,37	-	71	S015	H80	48	86	90	361	600	325	60	210	410	-	160	-	140	880	920	M12x150
	0,55	-	80	S015	H80	48	89	90	361	600	325	60	210	410	-	160	-	140	914	920	M12x150
	0,75	-	80	S015	H80	48	90	90	361	600	325	60	210	410	-	160	-	140	914	920	M12x150
	1,10	-	90S	S015	H80	48	93	90	361	600	325	60	210	410	-	160	-	140	971	920	M12x150
	1,50	2,20	90L	S015	H80	48	96	90	361	600	325	60	210	410	-	160	-	140	971	920	M12x150
	2,20	3,00	100L	S017	H80	48	129	90	361	700	325	60	220	420	-	200	-	140	1012	1100	M12x150
	3,00	-	100L	S017	H80	48	132	90	361	700	325	60	220	420	-	200	-	140	1012	1100	M12x150
	-	4,00	112M	S017	H80	48	139	90	361	700	325	60	220	420	-	200	-	140	1033	1100	M12x150
	-	5,50	132S	S344	H95	48	154	90	450	660	400	60	240	440	-	180	-	140	1093	1020	M20x400
	-	7,50	132S	S344	H95	48	159	90	450	660	400	60	240	440	-	180	-	140	1093	1020	M20x400
	-	11,00	160M	S385	H95	48	216	90	490	740	440	60	240	440	-	200	-	140	1228	1140	M20x400
	-	15,00	160M	S385	H95	48	223	90	490	740	440	60	240	440	-	200	-	140	1228	1140	M20x400
	-	18,50	160L	S385	H95	48	211	90	490	740	440	60	240	440	-	200	-	140	1228	1140	M20x400
5016	0,55	-	80	S303	H80	52	102	100	390	600	350	60	225	425	200	160	-	140	919	920	M16x250
	0,75	-	80	S303	H80	52	103	100	390	600	350	60	225	425	200	160	-	140	919	920	M16x250
	1,10	-	90S	S303	H80	52	105	100	390	600	350	60	225	425	200	160	-	140	976	920	M16x250

DBSA Size	Motor		Base plate No.	Cplg.	Weight (kg)																Rag bolt size
	1450 rpm KW	2900 rpm			Size	pump	unit	a	b ₂	e ₁	e ₂	f ₁	h ₃	h ₄	i	v	v ₁	x	w	w ₁	
	1,50	-	90L	S303	H80	52	107	100	390	600	350	60	225	425	200	160	-	140	976	920	M16x250
	2,20	-	100L	S344	H80	52	137	100	450	660	400	60	240	440	200	180	-	140	1017	1020	M20x400
	3,00	-	100L	S344	H80	52	140	100	450	660	400	60	240	440	200	180	-	140	1017	1020	M20x400
	-	4,00	112M	S344	H80	52	147	100	450	660	400	60	240	440	200	180	-	140	1038	1020	M20x400
	-	5,50	132S	S344	H95	52	160	100	450	660	400	60	240	440	200	180	-	140	1098	1020	M20x400
	-	7,50	132S	S344	H95	52	175	100	450	660	400	60	240	440	200	180	-	140	1098	1020	M20x400
	-	11,00	160M	S385	H95	52	210	100	490	740	440	60	240	440	200	200	-	140	1233	1140	M20x400
	-	15,00	160M	S385	H95	52	219	100	490	740	440	60	240	440	200	200	-	140	1233	1140	M20x400
	-	18,50	160L	S385	H95	52	229	100	490	740	440	60	240	440	200	200	-	140	1233	1140	M20x400
	5020	1,10	-	90S	S344	H95	69	134	112	450	660	400	60	260	460	200	180	-	140	1083	1020
1,50		-	90L	S344	H95	69	137	112	450	660	400	60	260	460	200	180	-	140	1083	1020	M20x400
2,20		-	100L	S385	H95	69	177	112	490	740	440	60	260	460	200	200	-	140	1124	1140	M20x400
3,00		-	100L	S385	H95	69	177	112	490	740	440	60	260	460	200	200	-	140	1124	1140	M20x400
4,00		4,00	112M	S385	H95	69	188	112	490	740	440	60	260	460	200	200	-	140	1145	1140	M20x400
5,50		5,50	132S	S385	H95	69	185	112	490	740	440	60	260	460	200	200	-	140	1206	1140	M20x400
-		7,50	132S	S385	H95	69	185	112	490	740	440	60	260	460	200	200	-	140	1206	1140	M20x400
-		11,00	160M	S436	H95	69	246	112	540	840	490	60	260	460	200	215	-	140	1340	1270	M20x400
-		15,00	160M	S436	H95	69	258	112	540	840	490	60	260	460	200	215	-	140	1340	1270	M20x400
-		18,50	160L	S436	H95	69	268	112	540	840	490	60	260	460	200	215	-	140	1340	1270	M20x400
-		22,00	180M	S436	H110	69	300	112	540	840	490	60	260	460	200	215	-	140	1422	1270	M20x400
-		30,00	200L	S487	H125	69	392	112	610	940	550	60	300	500	200	240	-	140	1472	1420	M24x400
5026		2,20	-	100L	S385	H95	89	183	125	490	740	440	75	280	530	200	200	-	140	1137	1140
	3,00	-	100L	S385	H95	89	196	125	490	740	440	75	280	530	200	200	-	140	1137	1140	M20x400
	4,00	-	112M	S385	H95	89	205	125	490	740	440	75	280	530	200	200	-	140	1158	1140	M20x400
	5,50	-	132S	S385	H95	89	216	125	490	740	440	75	280	530	200	200	-	140	1219	1140	M20x400
	7,50	-	132M	S385	H95	89	223	125	490	740	440	75	280	530	200	200	-	140	1219	1140	M20x400
	-	11,00	160M	S436	H95	89	270	125	540	840	490	75	280	530	200	215	-	140	1353	1270	M20x400
	-	15,00	160M	S436	H95	89	279	125	540	840	490	75	280	530	200	215	-	140	1353	1270	M20x400
	-	18,50	160L	S436	H95	89	289	125	540	840	490	75	280	530	200	215	-	140	1353	1270	M20x400
	-	22,00	180M	S436	H110	89	320	125	540	840	490	75	280	530	200	215	-	140	1435	1270	M20x400
	-	30,00	200L	S487	H125	89	415	125	610	940	550	75	300	550	200	240	-	140	1485	1420	M24x400
	-	37,00	200L	S487	H125	89	435	125	610	940	550	75	300	550	200	240	-	140	1485	1420	M24x400
	-	45,00	225M	S487	H125	89	493	125	610	940	550	75	325	575	200	240	-	140	1525	1420	M24x400
	-	55,00	250M	S608	H140	89	617	125	730	1060	670	75	350	600	200	270	-	140	1655	1600	M24x400
5032	4,00	-	112M	S435	H110	151	274	140	540	740	490	75	305	585	200	200	-	140	1223	1140	M20x400
	5,50	-	132S	S436	H110	151	291	140	540	840	490	75	305	585	200	215	-	140	1284	1270	M20x400
	7,50	-	132M	S436	H110	151	298	140	540	840	490	75	305	585	200	215	-	140	1284	1270	M20x400
	11,00	-	160M	S487	H110	151	367	140	610	940	550	75	325	605	200	240	-	140	1418	1420	M24x400
	15,00	-	160L	S487	H110	151	381	140	610	940	550	75	325	605	200	240	-	140	1418	1420	M24x400
	18,50	-	180M	S487	H110	151	397	140	610	940	550	75	325	605	200	240	-	140	1500	1420	M24x400
	22,00	-	180L	S487	H125	151	424	140	610	940	550	75	325	605	200	240	-	140	1500	1420	M24x400
	30,00	-	200L	S487	H125	151	474	140	610	940	550	75	325	605	200	240	-	140	1550	1420	M24x400
	6520	1,50	-	90L	S385	H95	78	165	125	490	740	440	75	260	485	200	200	-	140	1096	1140
2,20		-	100L	S385	H95	78	182	125	490	740	440	75	260	485	200	200	-	140	1137	1140	M20x400
3,00		-	100L	S385	H95	78	185	125	490	740	440	75	260	485	200	200	-	140	1137	1140	M20x400
4,00		-	112M	S385	H95	78	194	125	490	740	440	75	260	485	200	200	-	140	1158	1140	M20x400
5,50		-	132S	S385	H95	78	205	125	490	740	440	75	260	485	200	200	-	140	1219	1140	M20x400
7,50		-	132M	S385	H95	78	212	125	490	740	440	75	260	485	200	200	-	140	1219	1140	M20x400
-		7,50	132S	S385	H95	78	208	125	490	740	440	75	260	485	200	200	-	140	1219	1140	M20x400
-		11,00	160M	S436	H95	78	260	125	540	840	490	75	260	485	200	215	-	140	1353	1270	M20x400
-		15,00	160M	S436	H95	78	269	125	540	840	490	75	260	485	200	215	-	140	1353	1270	M20x400
-		18,50	160L	S436	H95	78	279	125	540	840	490	75	260	485	200	215	-	140	1353	1270	M20x400
-		22,00	180M	S436	H110	78	310	125	540	840	490	75	260	485	200	215	-	140	1435	1270	M20x400
-		30,00	200L	S487	H125	78	402	125	610	940	550	75	300	525	200	240	-	140	1485	1420	M24x400
-		37,00	200L	S487	H125	78	422	125	610	940	550	75	300	525	200	240	-	140	1485	1420	M24x400
-	45,00	225M	S487	H125	78	480	125	610	940	550	75	325	550	200	240	-	140	1525	1420	M24x400	
8026	3,00	-	100L	S486	H110	112	243	130	610	840	550	90	325	605	250	205	-	140	1192	1250	M24x400
	4,00	-	112M	S486	H110	112	253	130	610	840	550	90	325	605	250	205	-	140	1213	1250	M24x400
	5,50	-	132S	S486	H110	112	263	130	610	840	550	90	325	605	250	205	-	140	1274	1250	M24x400
	7,50	-	132M	S486	H110	112	269	130	610	840	550	90	325	605	250	205	-	140	1274	1250	M24x400
	11,00	-	160M	S487	H110	112	327	130	610	940	550	90	325	605	250	240	-	140	1408	1420	M24x400
	15,00	-	160L	S487	H110	112	345	130	610	940											

DBSA Size	Motor		Size	Base plate No.	Cplg.	Weight (kg)															Rag bolt size
	rpm 1450	2900				pump	unit	a	b ₂	e ₁	e ₂	f ₁	h ₃	h ₄	i	v	v ₁	x	w	w ₁	
10026	45,00	-	225M	S538	H140	249	693	140	660	1060	600	90	380	735	250	280	-	140	1740	1620	M24x400
	4,00	-	112M	S486	H110	127	268	140	610	840	550	90	325	605	250	205	-	140	1223	1250	M24x400
	5,50	-	132S	S486	H110	127	278	140	610	840	550	90	325	605	250	205	-	140	1284	1250	M24x400
	7,50	-	132M	S486	H110	127	285	140	610	840	550	90	325	605	250	205	-	140	1284	1250	M24x400
	11,00	-	160M	S487	H110	127	344	140	610	940	550	90	325	605	250	240	-	140	1418	1420	M24x400
	15,00	-	160L	S487	H110	127	357	140	610	940	550	90	325	605	250	240	-	140	1418	1420	M24x400
	18,50	-	180M	S487	H110	127	384	140	610	940	550	90	325	605	250	240	-	140	1500	1420	M24x400
	22,00	-	180L	S487	H125	127	402	140	610	940	550	90	325	605	250	240	-	140	1500	1420	M24x400
	-	30,00	200L	S487	H125	127	452	140	610	940	550	90	325	605	250	240	-	140	1550	1420	M24x400
	-	37,00	200L	S487	H125	127	472	140	610	940	550	90	325	605	250	240	-	140	1550	1420	M24x400
	-	45,00	225M	S487	H125	127	532	140	610	940	550	90	325	605	250	240	-	140	1590	1420	M24x400
	-	55,00	250M	S608	H140	127	661	140	730	1060	670	90	350	630	250	270	-	140	1720	1600	M24x400
	-	75,00	280S	S609A	H160	127	730	140	744	1200	696	90	380	660	250	300	-	140	1790	1800	M24x400
	-	90,00	280M	S609A	H160	127	770	140	744	1200	696	90	380	660	250	300	-	140	1790	1800	M24x400
	-	110,00	315S	S609A	H160	127	1060	140	744	1200	696	90	415	695	250	300	-	140	1902	1800	M24x400
10032	7,50	-	132M	S486	H110	158	316	140	610	840	550	90	350	665	250	205	-	140	1284	1250	M24x400
	11,00	-	160M	S487	H110	158	374	140	610	940	550	90	350	665	250	240	-	140	1418	1420	M24x400
	15,00	-	160L	S487	H110	158	388	140	610	940	550	90	350	665	250	240	-	140	1418	1420	M24x400
	18,50	-	180M	S487	H110	158	414	140	610	940	550	90	350	665	250	240	-	140	1500	1420	M24x400
	22,00	-	180L	S487	H125	158	432	140	610	940	550	90	350	665	250	240	-	140	1500	1420	M24x400
	30,00	-	200L	S487	H125	158	484	140	610	940	550	90	350	665	250	240	-	140	1550	1420	M24x400
	37,00	-	225S	S538	H140	158	567	140	660	1060	600	90	350	665	250	280	-	140	1620	1620	M24x400
12540	18,50	-	180M	S608	H125	268	562	170	730	1060	670	110	415	815	280	270	-	180	1690	1600	M24x400
	22,00	-	180L	S608	H125	268	567	170	730	1060	670	110	415	815	280	270	-	180	1690	1600	M24x400
	30,00	-	200L	S608	H125	268	627	170	730	1060	670	110	415	815	280	270	-	180	1740	1600	M24x400
	37,00	-	225S	S609	H140	268	706	170	730	1200	670	110	415	815	280	310	-	180	1810	1820	M24x400
	45,00	-	225M	S609	H140	268	741	170	730	1200	670	110	415	815	280	310	-	180	1810	1820	M24x400
	55,00	-	250M	S609	H160	268	833	170	730	1200	670	110	415	815	280	310	-	180	1910	1820	M24x400
	75,00	-	280S	215X75X14	H180	268	1122	170	750	1730	700	110	485	885	280	210	865	180	1980	2150	M16x250
90,00	-	280M	215X75X14	H180	268	1172	170	750	1730	700	110	485	885	280	210	865	180	1980	2150	M16x250	
12550	30,00	-	200L	S609	H160	403	789	170	730	1200	670	110	455	905	280	310	-	180	1790	1820	M24x400
	37,00	-	225S	S609	H160	403	848	170	730	1200	670	110	455	905	280	310	-	180	1860	1820	M24x400
	45,00	-	225M	S609	H160	403	883	170	730	1200	670	110	455	905	280	310	-	180	1860	1820	M24x400
	55,00	-	250M	S609	H160	403	973	170	730	1200	670	110	455	905	280	310	-	180	1960	1820	M24x400
	75,00	-	280S	220X75X14	H180	403	1263	170	750	1740	700	110	525	975	280	230	870	180	2030	2200	M16x250
	90,00	-	280M	220X75X14	H180	403	1308	170	750	1740	700	110	525	975	280	230	870	180	2030	2200	M16x250
	110,00	-	315S	235X82X14	H200	403	1513	170	820	1890	770	110	525	975	280	230	945	180	2172	2350	M16x250
	132,00	-	315M	235X82X14	H200	403	1593	170	820	1890	770	110	525	975	280	230	945	180	2172	2350	M16x250
	160,00	-	315L	250X82X14	H200	403	1750	170	820	2000	770	110	525	975	280	250	1000	180	2332	2500	M16x250
	200,00	-	315L	250X82X14	H200	403	1890	170	820	2000	770	110	525	975	280	250	1000	180	2332	2500	M16x250
15032	7,50	-	132M	S607	H125	242	442	170	730	940	670	110	380	780	280	230	-	180	1474	1400	M24x400
	11,00	-	160M	S608	H125	242	497	170	730	1060	670	110	380	780	280	270	-	180	1608	1600	M24x400
	15,00	-	160L	S608	H125	242	511	170	730	1060	670	110	380	780	280	270	-	180	1608	1600	M24x400
	18,50	-	180M	S608	H125	242	537	170	730	1060	670	110	380	780	280	270	-	180	1690	1600	M24x400
	22,00	-	180L	S608	H125	242	552	170	730	1060	670	110	380	780	280	270	-	180	1690	1600	M24x400
	30,00	-	200L	S608	H125	242	602	170	730	1060	670	110	380	780	280	270	-	180	1740	1600	M24x400
	37,00	-	225S	S609	H140	242	682	170	730	1200	670	110	380	780	280	310	-	180	1810	1820	M24x400
	45,00	-	225M	S609	H140	242	717	170	730	1200	670	110	380	780	280	310	-	180	1810	1820	M24x400
	55,00	-	250M	S609	H160	266	833	200	730	1200	670	110	415	865	300	310	-	180	1940	1820	M24x400
	75,00	-	280S	220X75X14	H180	266	1121	200	750	1740	700	110	485	935	300	230	870	180	2010	2200	M16x250
20032	15,00	-	160L	S608	H125	266	535	200	730	1060	670	110	415	865	300	270	-	180	1638	1600	M24x400
	18,50	-	180M	S608	H125	266	561	200	730	1060	670	110	415	865	300	270	-	180	1720	1600	M24x400
	22,00	-	180L	S608	H125	266	576	200	730	1060	670	110	415	865	300	270	-	180	1720	1600	M24x400
	30,00	-	200L	S609	H125	266	645	200	730	1200	670	110	415	865	300	310	-	180	1770	1820	M24x400
	37,00	-	225S	S609	H140	266	706	200	730	1200	670	110	415	865	300	310	-	180	1840	1820	M24x400
	45,00	-	225M	S609	H140	266	741	200	730	1200	670	110	415	865	300	310	-	180	1840	1820	M24x400
	55,00	-	250M	S609	H160	266	833	200	730	1200	670	110	415	865	300	310	-	180	1940	1820	M24x400
	75,00	-	280S	220X75X14	H180	266	1121	200	750	1740	700	110	485	935	300	230	870	180	2010	2200	M16x250
	90,00	-	280M	225X75X14	H180	364	1266	200	750	1790	700	110	525	1025	300	230	895	180	2060	2250	M16x250
	110,00	-	315S	240X82X14	H200	364	1460	200	820	1900	770	110	525	1025	300	250	950				

Distributeur et maintenance

Atelier certifié pour la réparation des pompes soumises à réglementation ATEX



ZAC du Moulin

Rue Boucher

76410 Cléon - France

Téléphone : 02 35 74 48 98

Email : info@eco-tech.pro

www.eco-tech.fr

Sterling SIHI (Spain), S.A.

Vereda de los Zapateros s/n, Pozuelo de Alarcón 28223 Madrid, Spain.

Telephone +34 91 709 1310 Telefax +34 91 715 9700

www.sihi.com