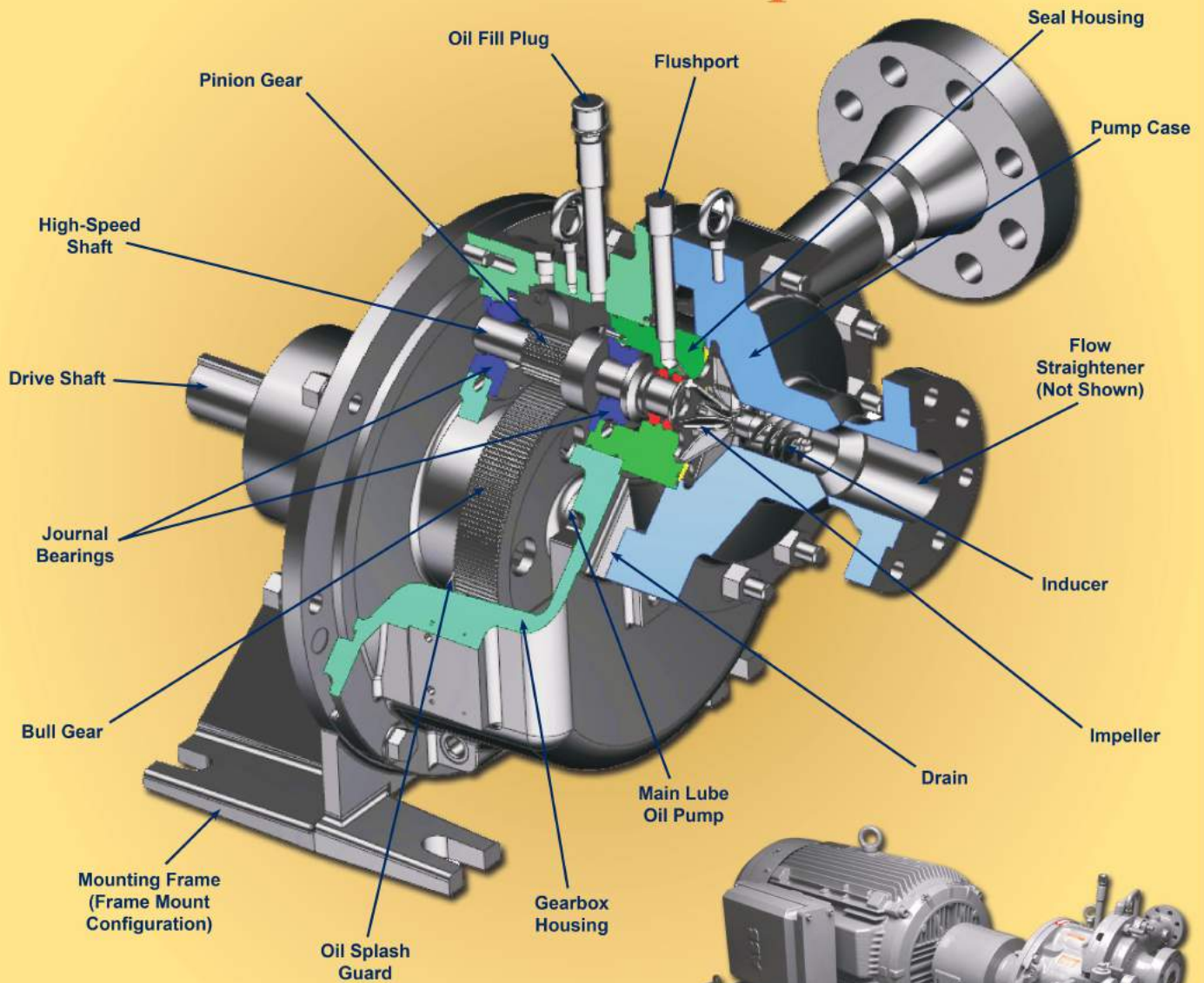


# SUNFLO

## P-3000 Pump



For Detailed Information,  
Download the Instruction Manual  
at [www.sundyne.com](http://www.sundyne.com)

**THE P-3000 IS IDEAL  
FOR HIGH-PRESSURE WATER  
INCLUDING WASH WATER,  
BOILER FEED FOR POWERPLANTS  
AND NON-API APPLICATIONS.**

**RELIABILITY  
REALIZED.**

**DISTRIBUTEUR :**  **Sundyne**  
Pompes  
Pièces de rechanges  
Garnitures mécaniques  
Entretien - Réparation - Amélioration

 **ECO TECH**  
SÉRIOSITÉ - ÉCONOMIE

**[www.eco-tech.pro](http://www.eco-tech.pro)**  
ECO TECH - Rue Marie Louise et Raymond Boucher - 76410 Cléon—France  
☎ 02.35.74.48.98 ✉ [info@eco-tech.pro](mailto:info@eco-tech.pro)  
Notre atelier de réparation est certifié 

  
**Sundyne**

Sundyne Headquarters: Sundyne, LLC 1680 W. 84th Ave. Aurora, CO 80007 USA 1-888-SUNDYNE (US and Canada), PH: +1 303 425 9900 Fax: +1 303 425 8988  
Sundyne France: Sundyne International S.A. 15-16, Rue Edouard-Belin, F-35 21093 Langolles Cedex France, PH: +33 (0)2 96 26 23 00 Fax: +33 (0)2 96 18 23 99  
Sundyne Spain: Sundyne Madrid Serrano, S.R.L. C/da. Marqués de Sade, Avda 25, 8. 42020 Breaña, Toledo, Spain PH: +34 (0)2 52 40 60 Fax: +34 (0)2 51 19 00  
Sundyne United Kingdom: Sundyne HND Sealless Pumps Ltd, Main Road, Harpenden Park Industrial Estate, Eastbourne East Sussex, BN22 9UN UK PH: +44 1323 602000 Fax: +44 1323 502008  
© 2017 Sundyne, LLC All rights reserved. Logos and trade names are property of their respective owners. Sundyne\_Sunflo\_P3000\_Photo\_2/21/17

© 2017 Sundyne, LLC All rights reserved.